

**PROCESSOR**  
252 SHEET 3  
**DSP AUDIO**

**RECEIVER**

**SYNTH-VCO**

**VCO**  
sheet 6

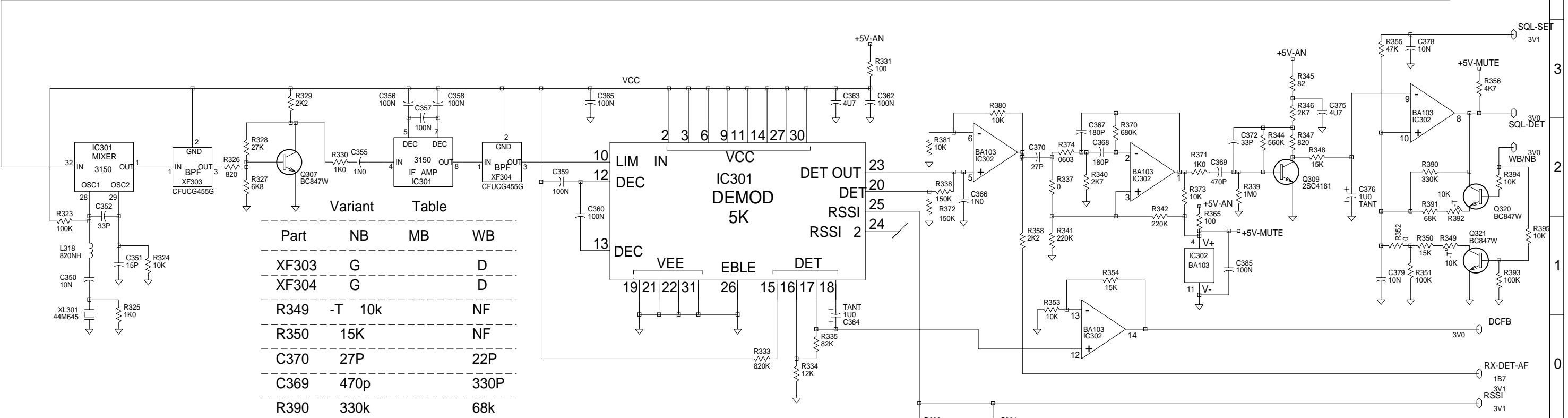
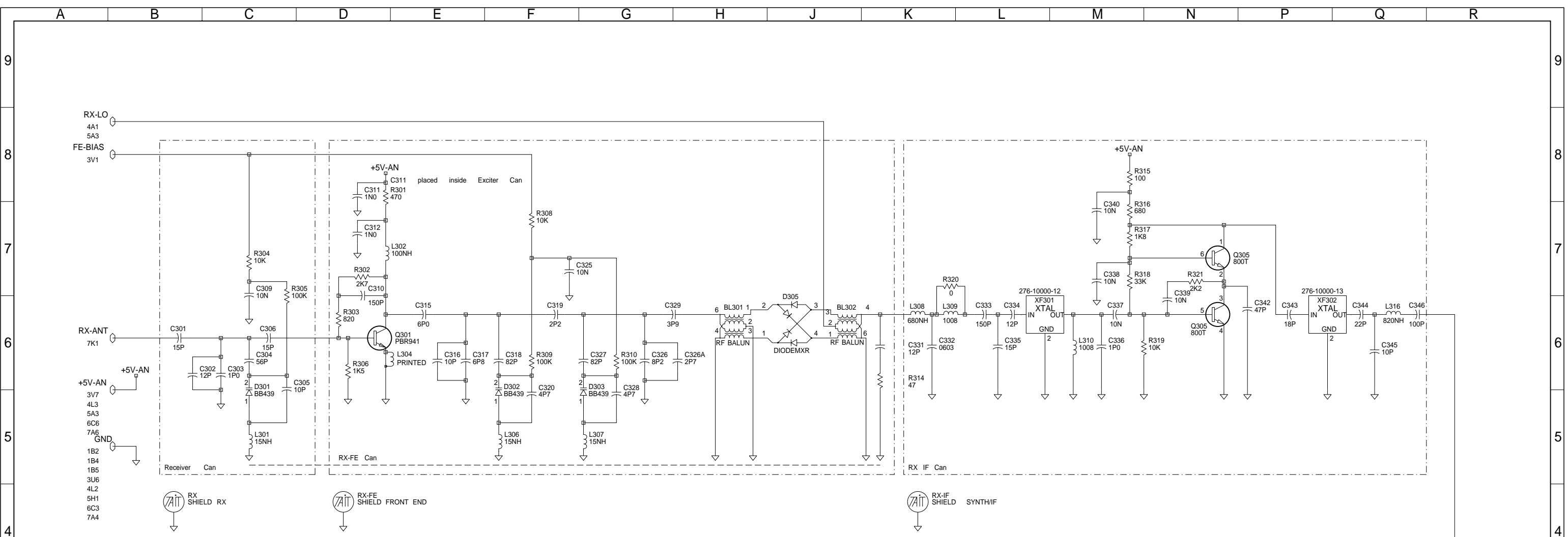
**POWER-AMP**

**Sub UHF**

REV/ISS	AMENDMENTS	DRAWN	CHKD	D.O.	APVD	DATE	REV/ISS	AMENDMENTS	DRAWN	CHKD	D.O.	APVD	DATE
05B	DIG SHIELD. CCO# 1503-011				CM	03/02/00							
05A	CCO NO. 1503-004/005/006/007				BRD	04/11/99							
04B	CHANGES AS PER 1503/001				BRD	20/08/99	10A	CCO.NO. 1503-017					29-05-01
03B	ADJUSTED T-CU AS PER PENTEX				BRD	03-06-99	09A	CCO. NO. 1503-016					11-05-01
03A	UPDATE ALC AND AFC				BRD	17-05-99	07B	CCO. NO. 1503-015					19-02-01
02A	SEE NOTES FILE FOR CHANGES				BRD	10/02/99	07A	COMP OBSOLESCENCE CCO.1503-013					03-11-00
08	UPDATED MUTE CIRCUITRY				DBH	06/04-00	06A	COMPONENT OBS. CCO NO. 1503-012					06-04-00



© TAIT ELECTRONICS			
TOP T5K ORCA 336-400MHZ SYSTEM DIAGRAM			
IPN: 220-01503-10	ISSUE: A	ID: 2.S.C. 1	
PROJECT: ORCA BRD	DESIGNER: 150310a	FILE NAME: 7-Jun-01	NO.SHEETS: 7

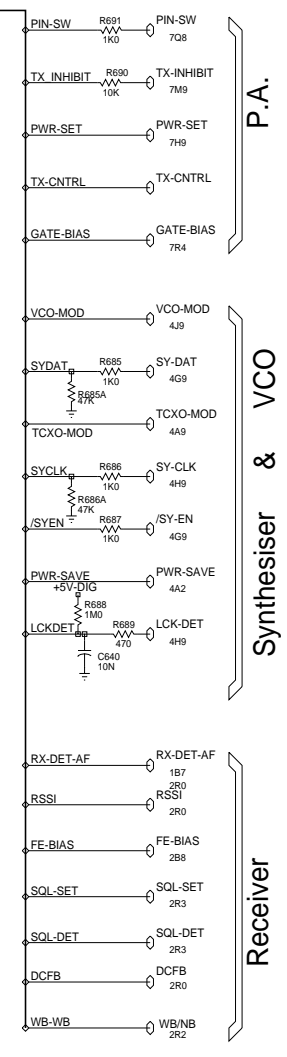
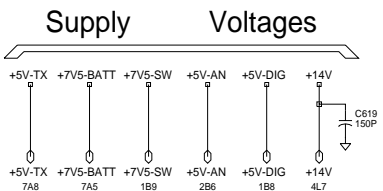
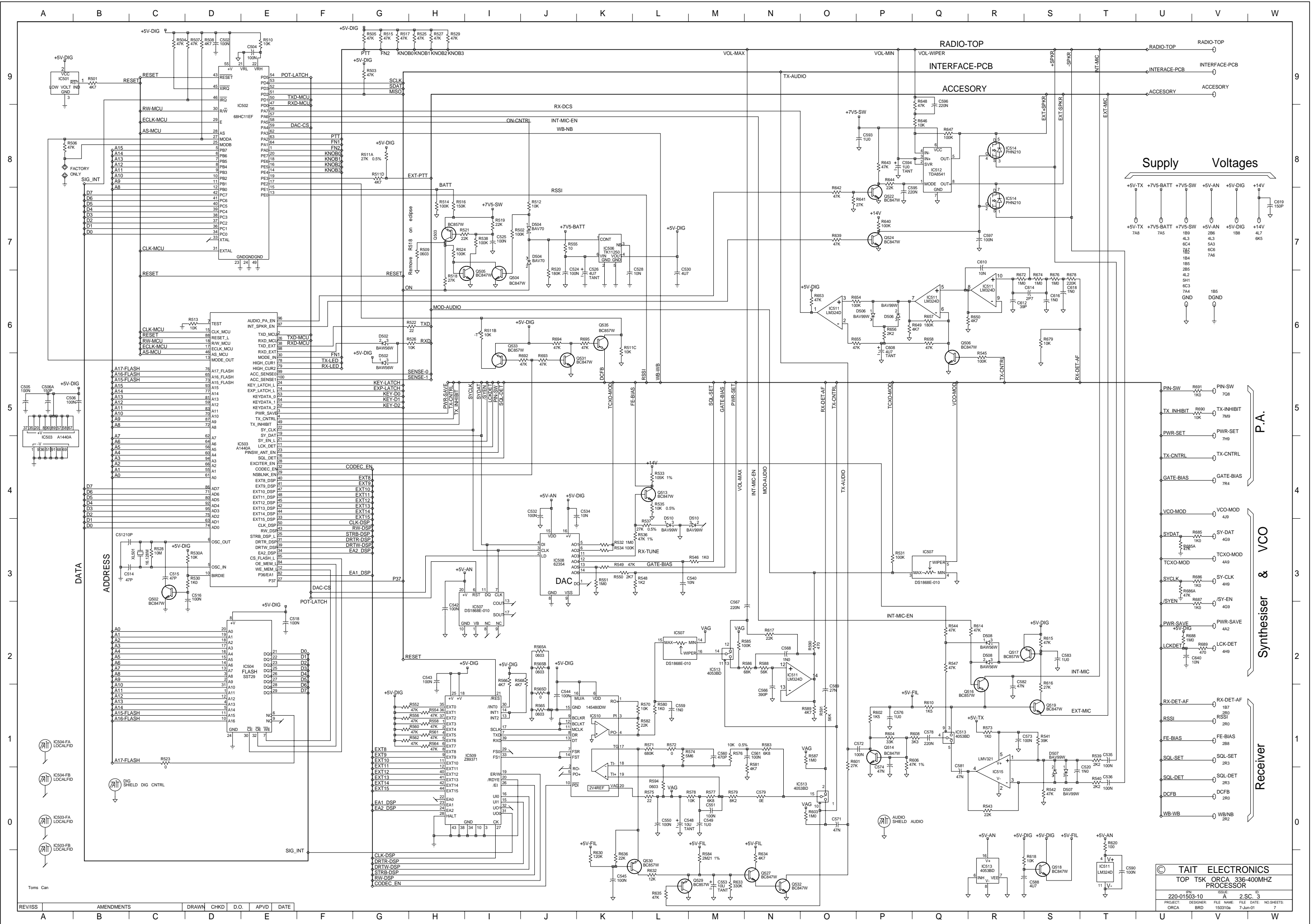


**TAIT ELECTRONICS**  
 TOP T5K ORCA 336-400MHZ RECEIVER

IPN: 220-01503-10  
 ISSUE: A  
 ID: 2.S.C. 2

PROJECT: ORCA  
 DESIGNER: BRD  
 FILE NAME: 150310a  
 FILE DATE: 7-Jun-01  
 NO. SHEETS: 7

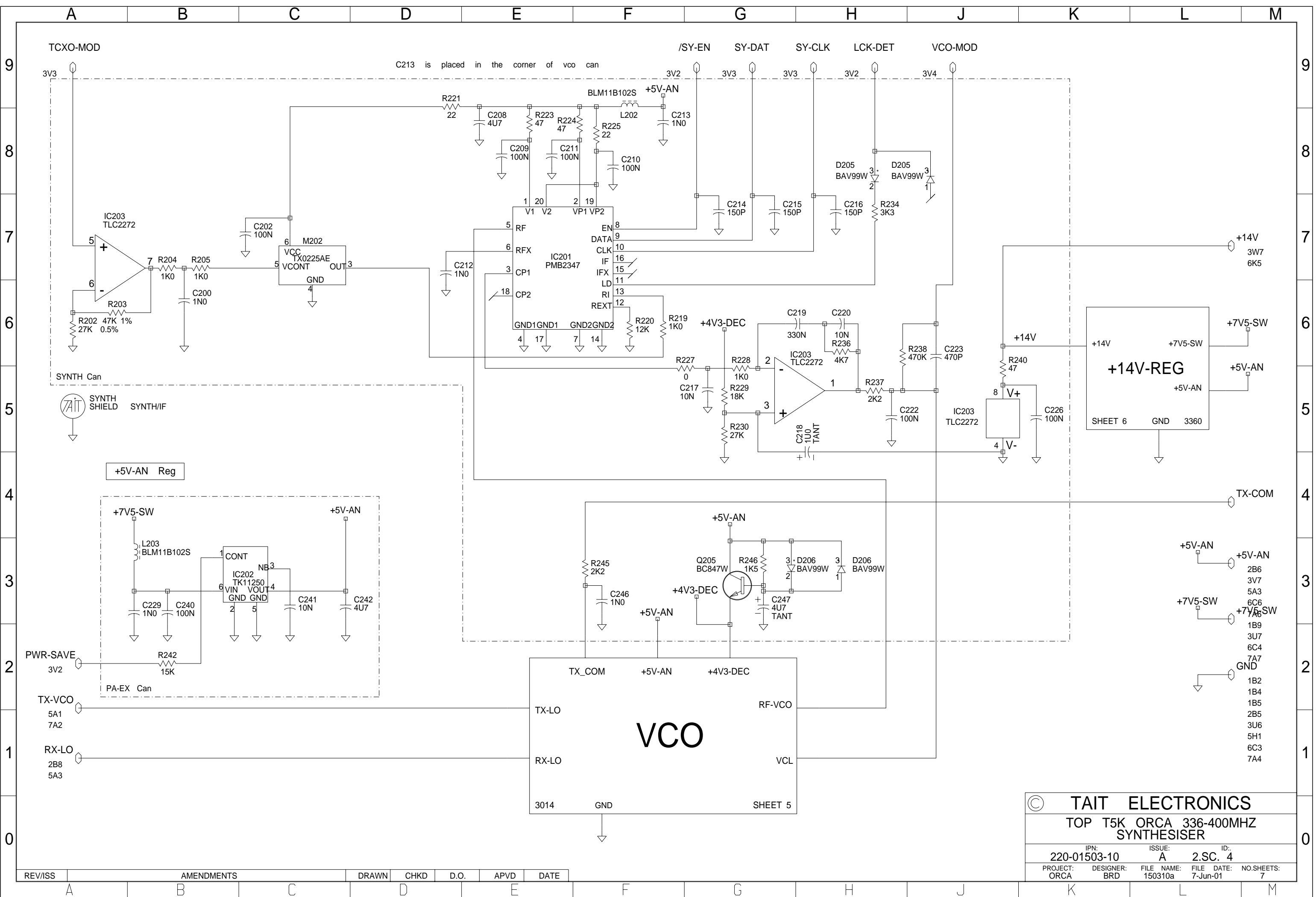
REV/ISS	AMENDMENTS	DRAWN	CHKD	D.O.	APVD	DATE



© TAIT ELECTRONICS  
 TOP T5K ORCA 336-400MHZ  
 PROCESSOR  
 220-01503-10  
 2-SC-3  
 PROJECT DESIGNER FILE NAME FILE DATE NO SHEETS  
 ORCA BRD 150310a 7-Jun-01 7

REV/ISS	AMENDMENTS	DRAWN	CHKD	D.O.	APVD	DATE
A						

Toms Can



C213 is placed in the corner of vco can

**VCO**

3014 GND

SHEET 5

**+14V-REG**

SHEET 6 GND 3360

+5V-AN Reg

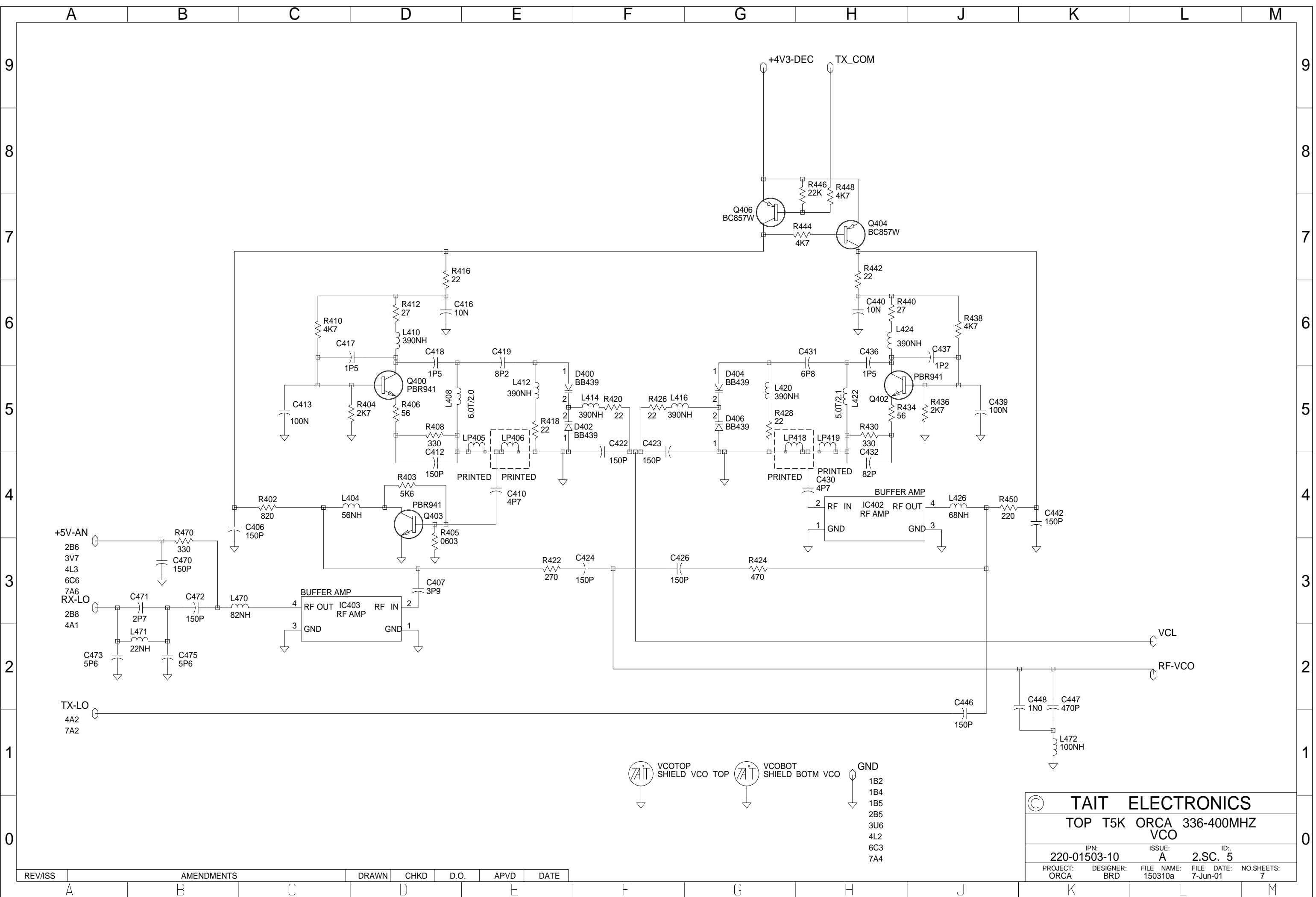
**+7V5-SW**

**+5V-AN**

PA-EX Can

© TAIT ELECTRONICS				
TOP T5K ORCA 336-400MHZ SYNTHESISER				
IPN:	ISSUE:	ID:		
220-01503-10	A	2.SC. 4		
PROJECT:	DESIGNER:	FILE NAME:	FILE DATE:	NO.SHEETS:
ORCA	BRD	150310a	7-Jun-01	7

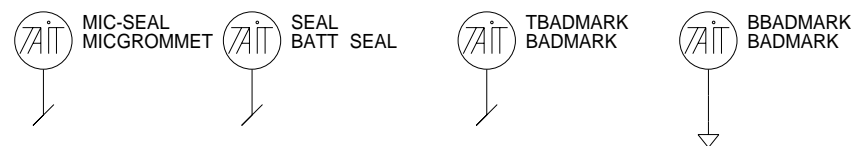
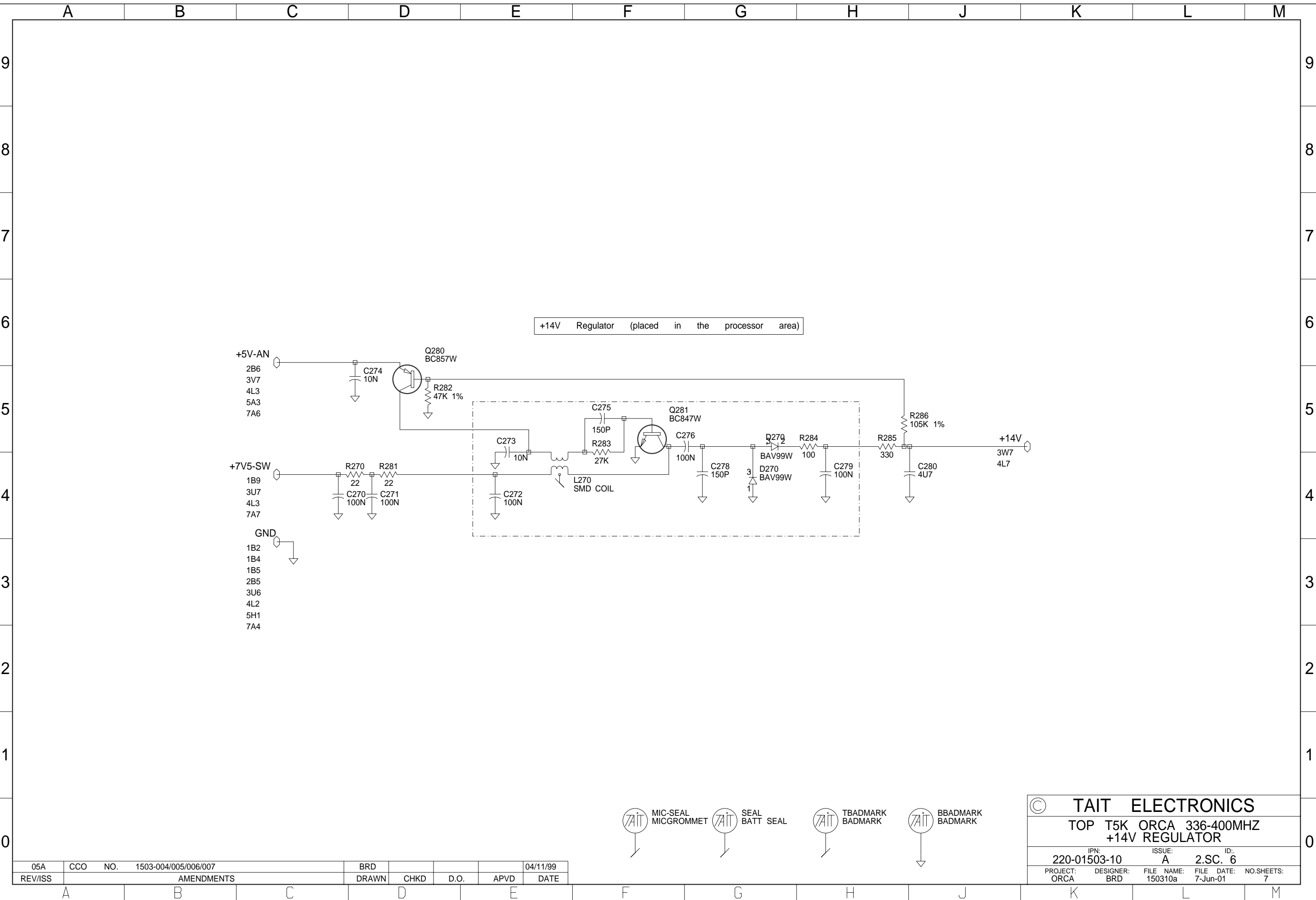
REV/ISS	AMENDMENTS	DRAWN	CHKD	D.O.	APVD	DATE
---------	------------	-------	------	------	------	------



© TAIT ELECTRONICS  
 TOP T5K ORCA 336-400MHZ  
 VCO  
 IPN: 220-01503-10 ISSUE: A ID: 2.SC. 5  
 PROJECT: ORCA DESIGNER: BRD FILE NAME: 150310a FILE DATE: 7-Jun-01 NO.SHEETS: 7

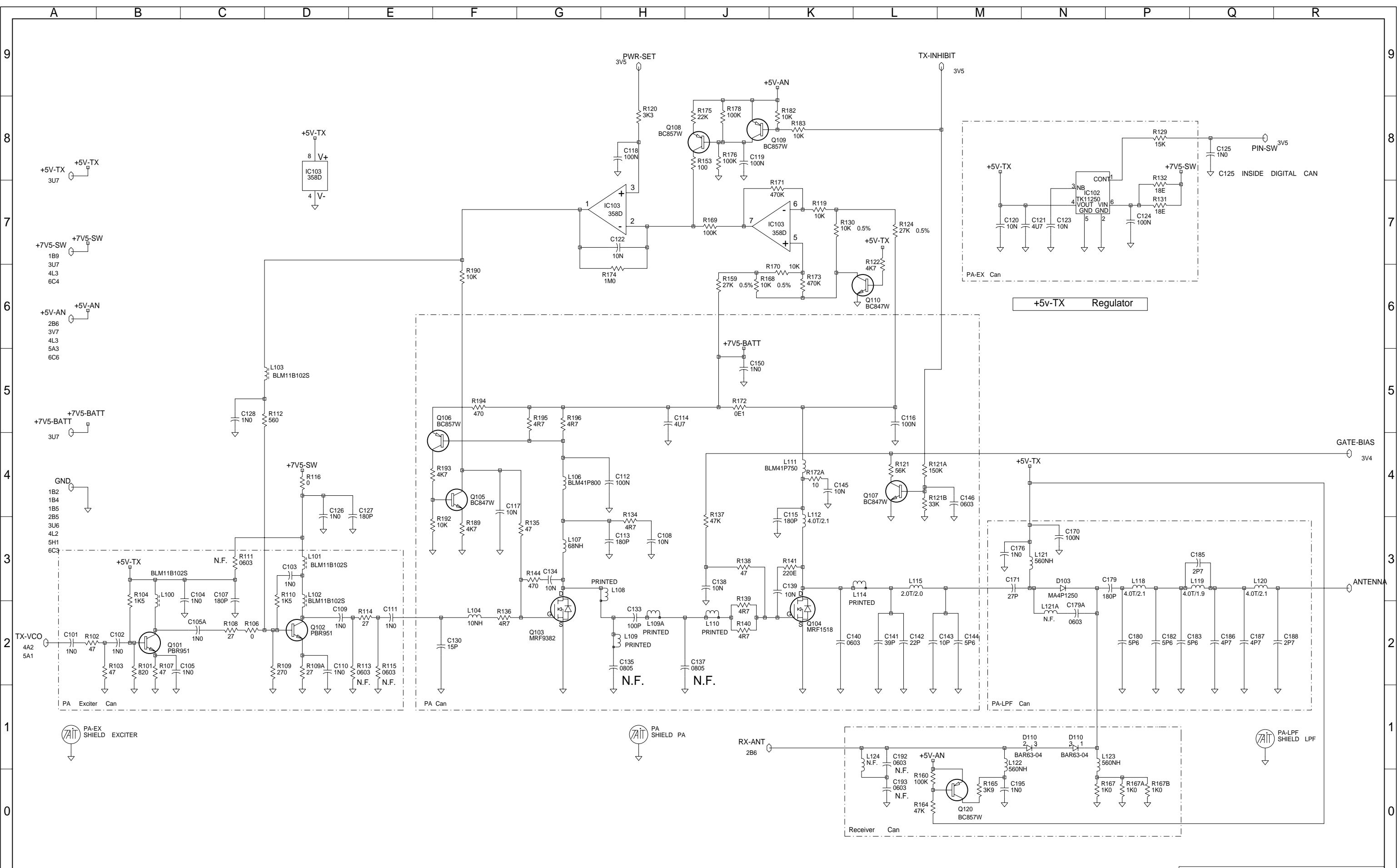
REV/ISS	AMENDMENTS	DRAWN	CHKD	D.O.	APVD	DATE

- VCOTOP SHIELD VCO TOP
- VCOBOT SHIELD BOTM VCO
- GND
- 1B2
- 1B4
- 1B5
- 2B5
- 3U6
- 4L2
- 6C3
- 7A4



© TAIT ELECTRONICS	
TOP T5K ORCA 336-400MHZ +14V REGULATOR	
IPN: 220-01503-10	ID: 2.SC. 6
ISSUE: A	FILE DATE: 7-Jun-01
PROJECT: ORCA	NO.SHEETS: 7

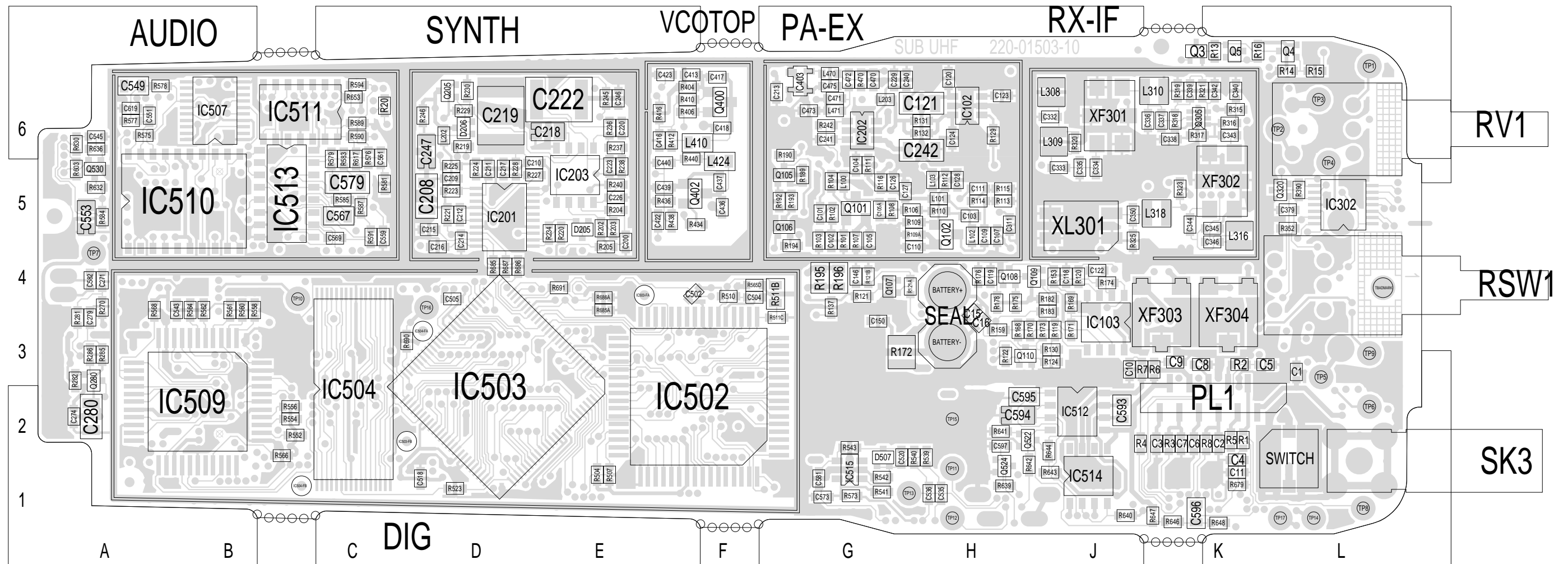
05A	CCO	NO.	1503-004/005/006/007	BRD			04/11/99
REV/ISS	AMENDMENTS			DRAWN	CHKD	D.O.	DATE



© TAIT ELECTRONICS  
 TOP T5K ORCA 336-400MHZ  
 POWERAMP

IPN:	ISSUE:	ID:
220-01503-10	A	2.S.C. 7
PROJECT:	DESIGNER:	FILE NAME:
ORCA	BRD	150310a
DATE:	NO.SHEETS:	
7-Jun-01	7	

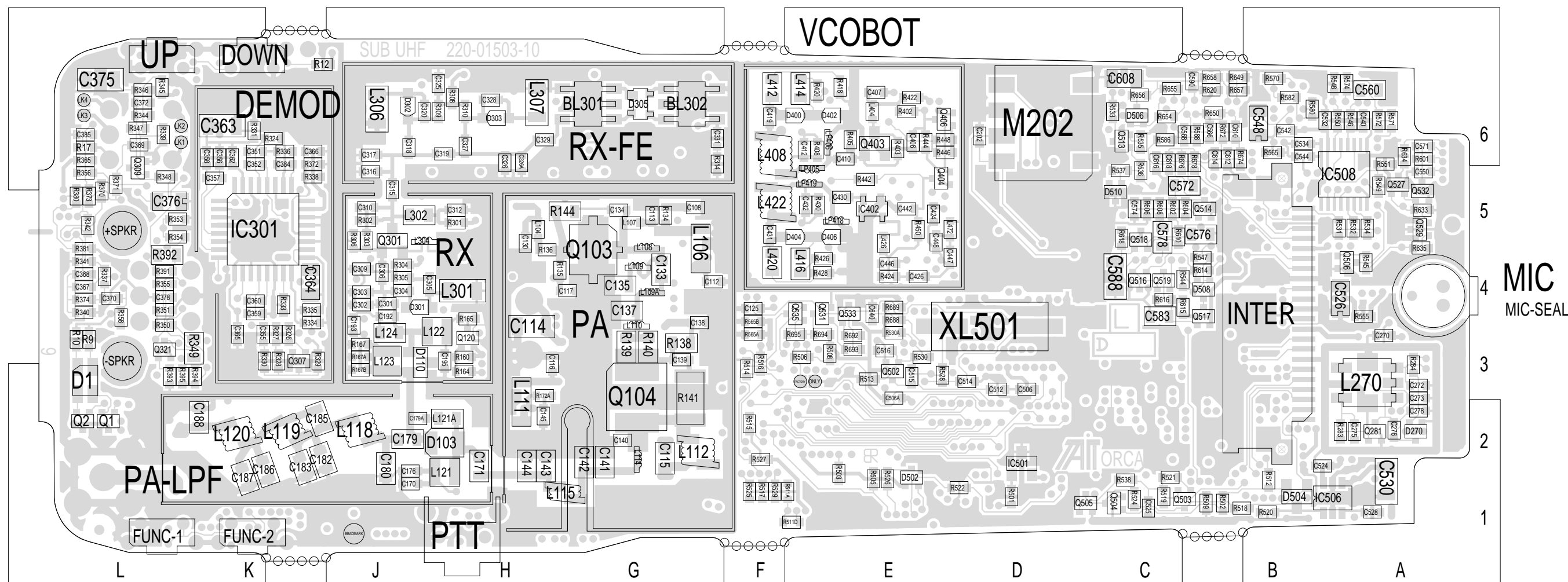
REV/ISS	AMENDMENTS	DRAWN	CHKD	D.O.	APVD	DATE
A						



TAIT ELECTRONICS    IPN: 220-01503-10    ISS: A    ID: 1.TA    DATE: 7 Jun 2001  
 SUB UHF PCB LAYOUT - TOP SIDE

Scale: 2.3:1 ;    Rotation: 0 degrees





TAIT ELECTRONICS IPN: 220-01503-10 ISS: A ID: 6.BA DATE: 7 Jun 2001  
 SUB UHF PCB LAYOUT - BOTTOM SIDE